

Vinyl Over Step Measurement Form - Rectangle Step

Customer Name _____

File # / Quote # _____

Last _____

First _____

Date: _____ / _____ / _____

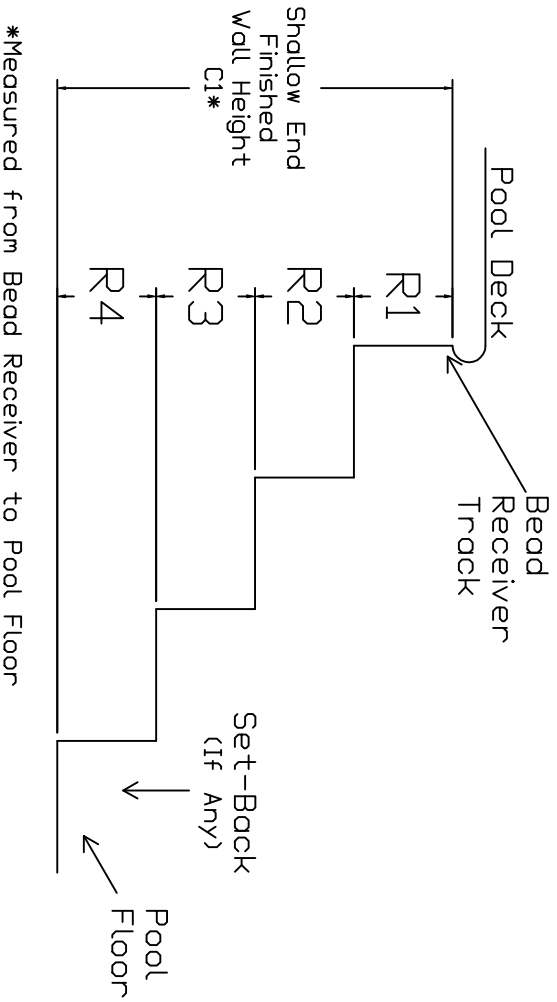
- Rod Pockets
 Bead
 Velcro
 Flaps
 None

Note: Separate Step Location Sheet Required For Your Pool Shape

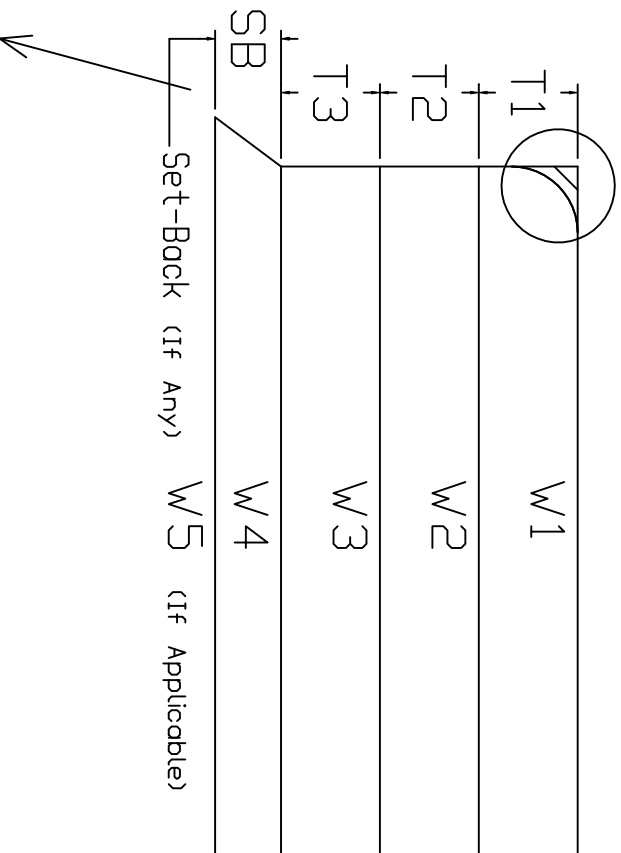
Side View

3 - TREAD STEP

Top View



*Measured from Bead Receiver to Pool Floor



Setback Corner:

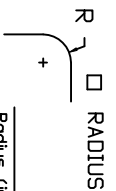
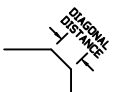
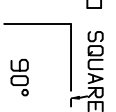
- Square
 Cut-off _____ (inches)
 Radius _____ (inches)

Corners (inches)

SQUARE

DIAGONAL

RADIUS



Note: All Vinyl Over Step Orders Require Photo's To Be Submitted

W / Measurements

Note:

Cross-Check: Sum Of R's (Risers) = C1 (Shallow End Finished Wall Height)

R1	"	T1	"	W1	"	"	"
R2	"	T2	"	W2	"	"	"
R3	"	T3	"	W3	"	"	"
R4	"	SB	"	W4	"	"	"
				W5	"	"	"