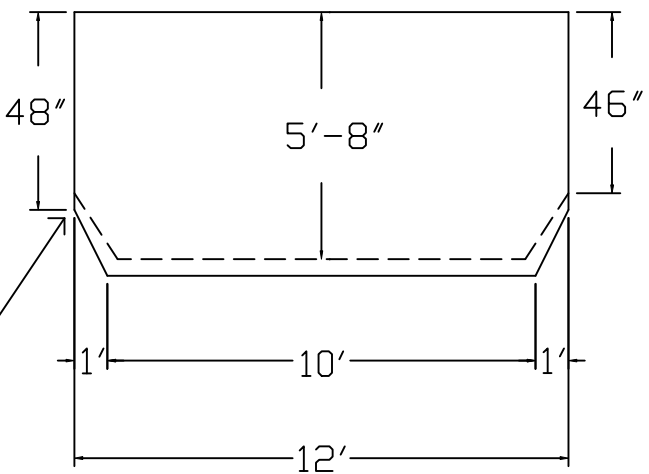
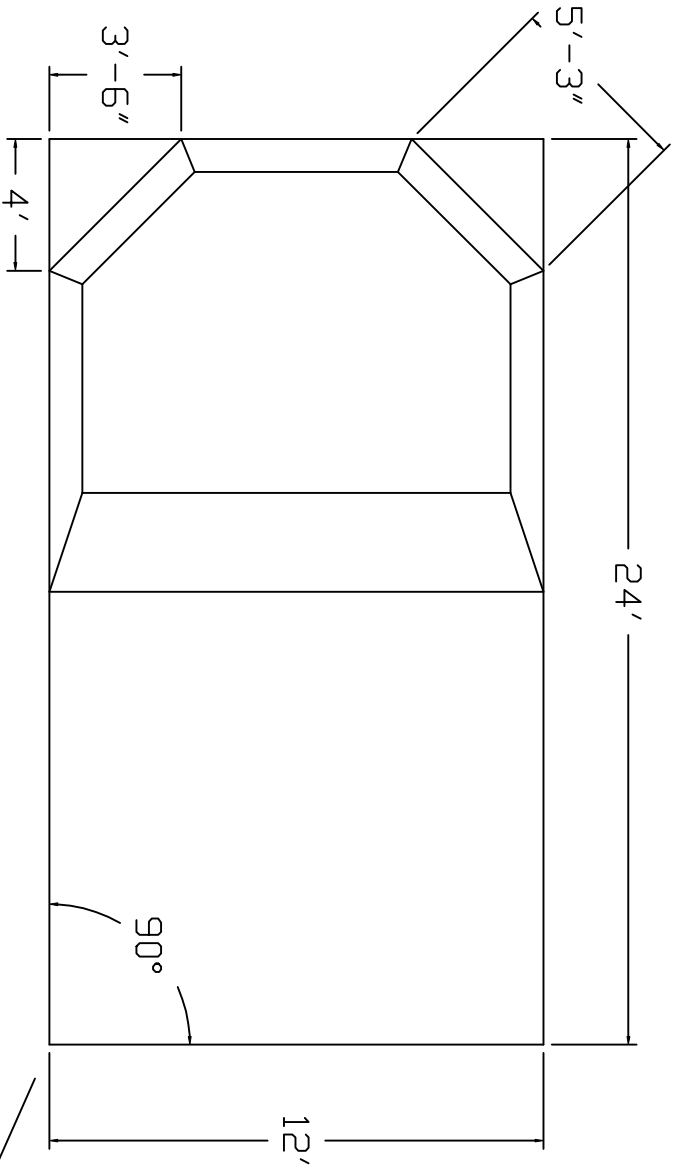


Kayak Brand Standard Specification

Rectangle

12x24 - Graduated Deep-End

4' Wall Height

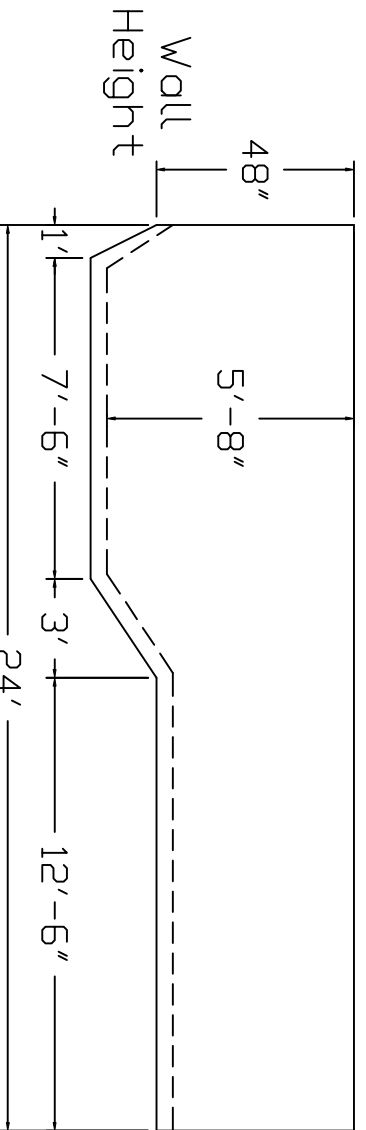


2" Sand Bottom Typical

46" Finished Wall Height
Corner Detail

2" Sand Bottom Typical

90° Square Corner Typical



Wall Height